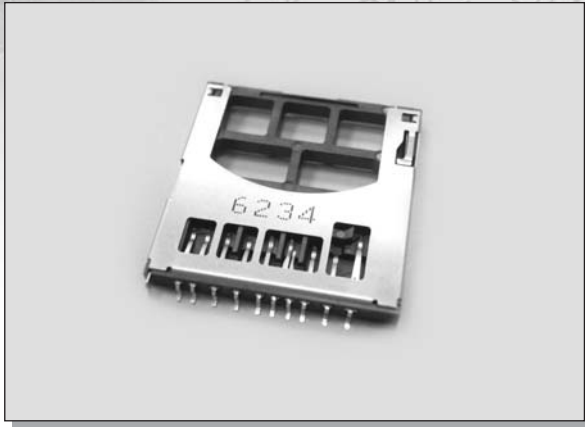


# C-TEK SD PUSH PUSH REVERSE TYPE



## MATERIAL:

HOUSING : LCP+30% GF., UL 94V-0 RATED.

CONTACT : PHOSPHOR BRONZE.

## SPECIFICATION:

VOLTAGE RATING : 50V DC MAX.

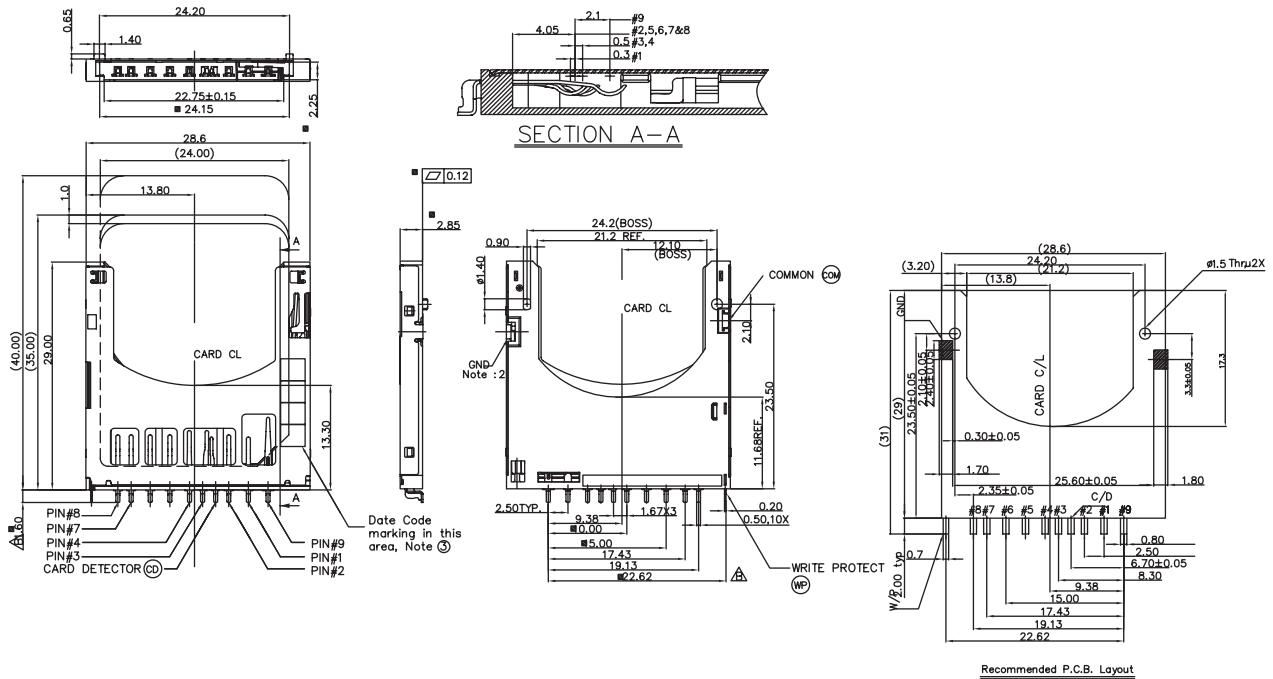
CURRENT RATING : 0.5A MAX.

OPERATING TEMPERATURE : -20°C ~ +80°C

INSULATION RESISTANCE : 1000 MΩ MIN.

CONTACT RESISTANCE : 100 MΩ MAX.

## DIMENSIONS



## HOW TO ORDER

SERIES NO.	TYPE	PLATING
8005	R	S
	R: REVERSE TYPE	S: SELECTIVE GOLD PLATED S1: SELECTIVE GOLD 15u" S2: SELECTIVE GOLD 30u"